

- Rapid exhaust flow
- Positively driven micro-switch
- Designed for compliance with Machinery Directive 89/392/EEC



### Technical Data

Medium:

Compressed air, filtered to 40µm, lubricated and non-lubricated.

Operation:

Poppet valve indirectly operated.

Mounting:

Through holes in body.

Port size:

G<sup>1</sup>/<sub>2</sub>

Operating pressure:

2-10 bar.

Flow characteristics:

	A	l/min	Cv	Kv
1-2	73,35	4460	4,5	3,910
2-3	76,61	4775	4,7	4,084

Ambient temperature:

-20°C to +50°C

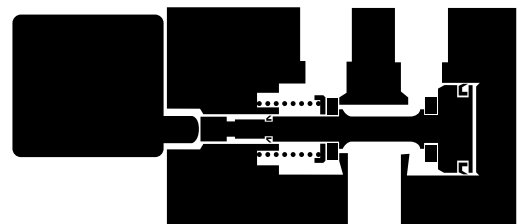
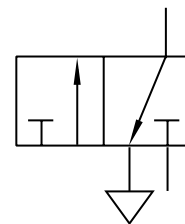
Consult our Technical Service for use under +2°C

Materials:

Aluminium alloy body, pistons and poppet  
Nitrile rubber seals.

### Ordering Information

To order quote model number and voltage code from tables overleaf: e.g. V18D487X-B113B for a monitored dump valve and 24V d.c. coil.





# Monitored Dump Valve

## General Information

Symbol	Model No.	Micro switch type	Operating pressure (bar)	Weight	Service Kit
	V18D487X-B11*B	Double break contacts Single circuit	0-10 Min Pilot Pressure 2 bar	1.14 kg	V18D487X-Q0100
	V18D487Y-B11*B	Change over break before make. Dual circuits	0-10 Min Pilot Pressure 2 bar	1.18 kg	V18D487Y-Q0100

\* Substitute Voltage Codes from table below.

## Voltage Codes \*

Voltage	Codes
24 V d.c.	3
110 V a.c. 50/60 Hz	8
220 V a.c. 50/60 Hz	9

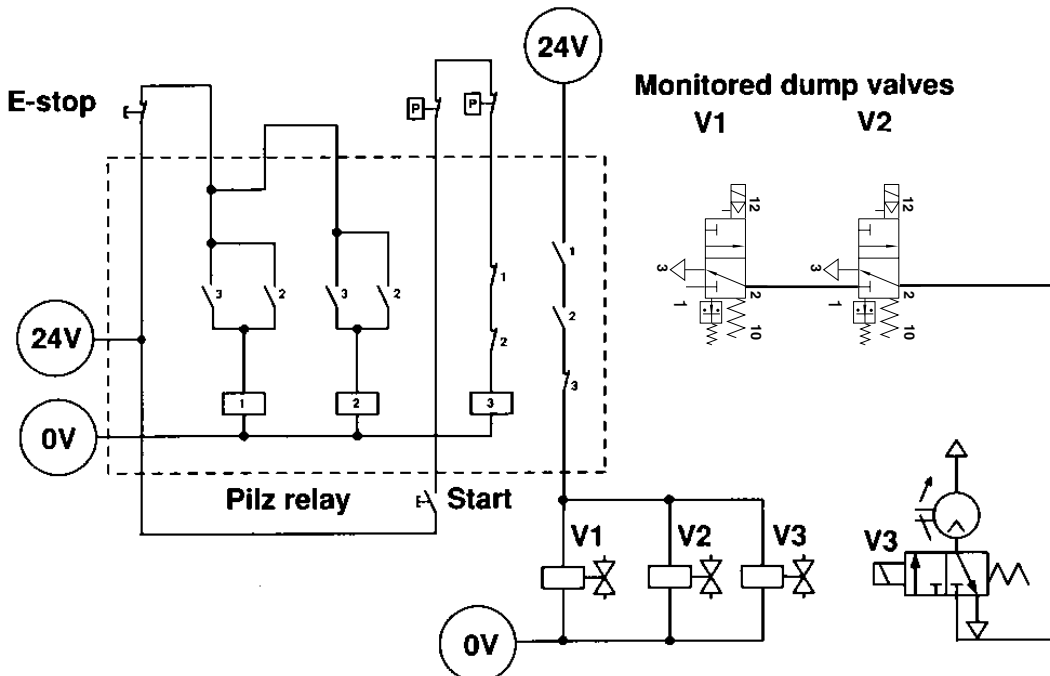
## Electrical Details – Solenoid

Power	7.5 W (9VA)
Voltage Tolerance	±10%
Rating	100% ED
Inlet Orifice	2mm
Electrical Connection	Industrial Standard Form B
Protection Class	IP65 (DIN 40050)

## Micro Switch Details

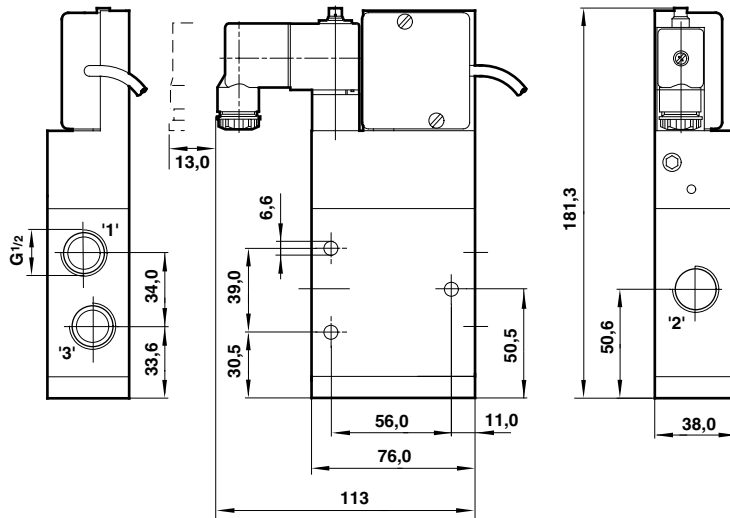
Contact Rating	10A	
Configuration	Type X	Single pole break
	Type Y	Double pole change over

## Pilz Safety Relay Circuit



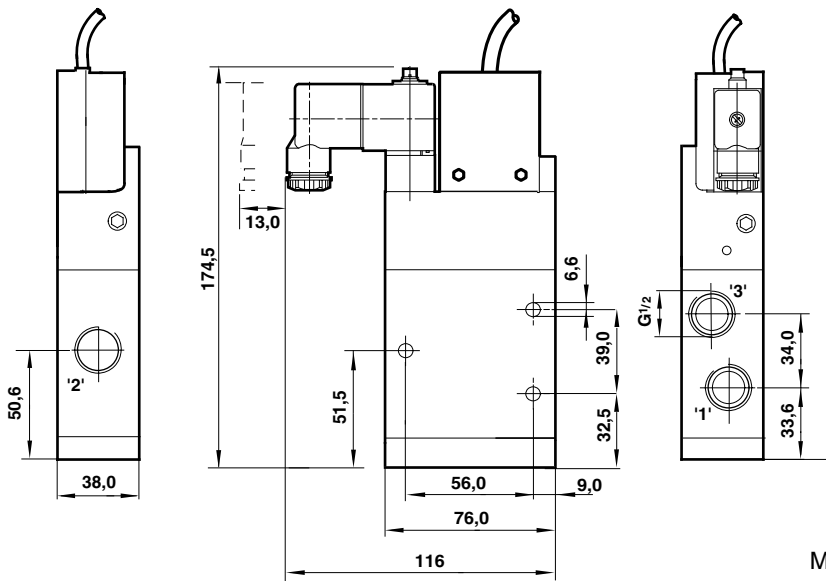


V18D487X-B11\*B Model



Micro switch cable length: 1m

V18D487Y-B11\*B Model



Micro switch cable length: 2m

**Warning**

These products are intended for use in industrial compressed air systems only. Do not use these products where *pressures* and *temperatures* can exceed those listed under 'Technical Data'.

Before using these products with fluids other than those specified, for non-industrial applications, life-support systems, or other applications not within published specifications, consult NORGREN.

Through misuse, age, or malfunction, components used in fluid power systems can fail in various modes. The system designer is warned to consider the failure modes of all component parts used in fluid power systems and to provide adequate safeguards to prevent personal injury or damage to equipment in the event of such failure.

**System designers must provide a warning to end users in the system instructional manual if protection against a failure mode cannot be adequately provided.**

System designers and end users are cautioned to review specific warnings found in instruction sheets packed and shipped with these products.