

**Precision Air Pressure
Regulators
The R27 Series**

- High precision pressure regulators
- Suitable for dead end or flow applications
- Excellent long term stability
- Handwheel, lever, plunger or pilot operated


Technical Data

Medium:

Dry, oil free air filtered to 25 microns

Operation:

Two stage servo mechanised regulator with integral precision measuring capsule

Mounting:

Any position. Panel mounting or through mounting holes on the unit (lever, plunger and pilot versions)

Port Sizes:

G¹/₄

Output Pressure ranges:

See individual details overleaf

Supply Pressure:

Minimum at least 0.2 bar above output pressure. Maximum 10 bar

Flow Capacity:

Up to 300 l/m.

Hysteresis and repeatability:

Less than 0.005% setting at midrange

Sensitivity:

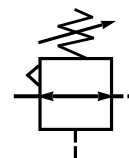
Better than 0.3 mbar

Air Consumption:

See individual details overleaf

Ordering Information

To order quote model number from tables overleaf.

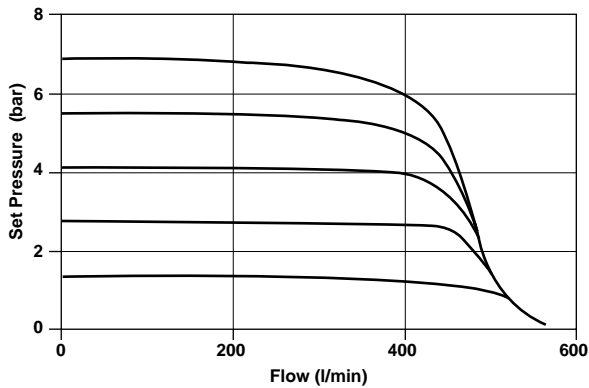
ISO Symbol




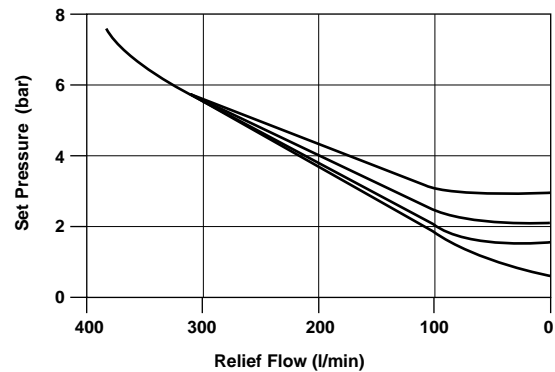
Ordering Information

Description	Model	Control Type	Output Pressure Range	Air Consumption	Weight
Standard regulator	R27-200-RNCG	Handwheel 2.5–3 turns	0.14–2.0 bar	0.3 l/m	0.72 kg
Standard regulator	R27-200-RNFG	Handwheel 2.5–3 turns	0.14–4.0 bar	0.6 l/m	0.72 kg
Standard regulator	R27-200-RNLG	Handwheel 2.5–3 turns	0.14–8.0 bar	1.2 l/m	0.72 kg
Lever operated regulator	R27-230-RNCG	Lever control 125° Rotation	0.14–2.0 bar	0.3 l/m	0.72 kg
Lever operated regulator	R27-230-RNFG	Lever control 125° Rotation	0.14–4.0 bar	0.6 l/m	0.72 kg
Lever operated regulator	R27-230-RNLG	Lever control 125° Rotation	0.14–8.0 bar	1.2 l/m	0.72 kg
Plunger operated regulator	R27-232-RNFG	Plunger travel 1.65mm	0.14–4.0 bar	0.6 l/m	0.72 kg
Plunger operated regulator	R27-232-RNLG	Plunger travel 1.65mm	0.14–8.0 bar	1.2 l/m	0.72 kg
Pilot operated relay	R27-234-RNCG	Pilot pressure signal	0.14–8.0 bar	1.2 l/m	0.72 kg
Pilot operated relay with manual bias	R27-236-RNXG	Pilot pressure signal. Handwheel controlled bias	0.14–8.0 bar Bias of up to 2 bar	1.2 l/m	0.72 kg

**Forward Flow Characteristics
8 Bar Supply**

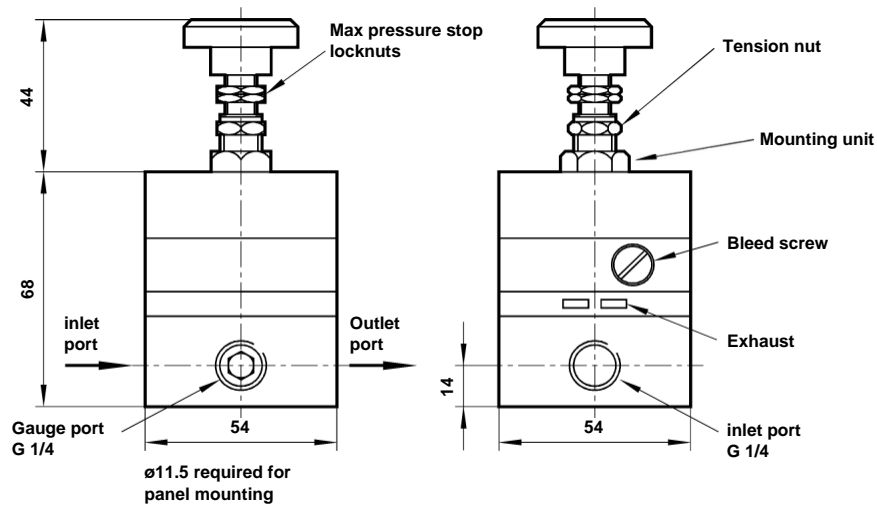


**Relief Flow Characteristics
8 Bar Supply**

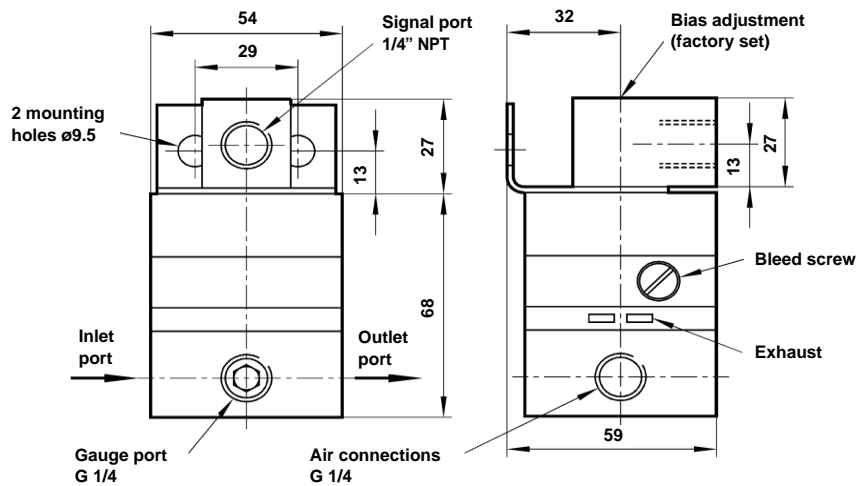




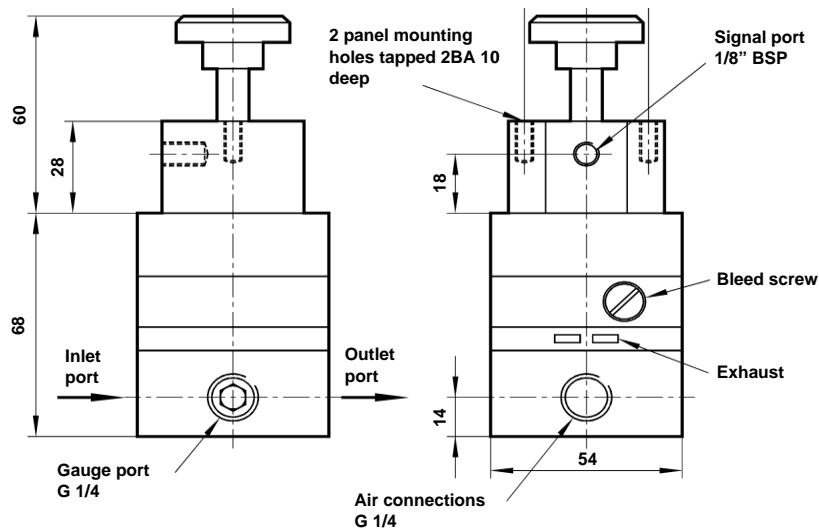
Dimensions R27-200



Dimensions R27-234 Pilot Operated

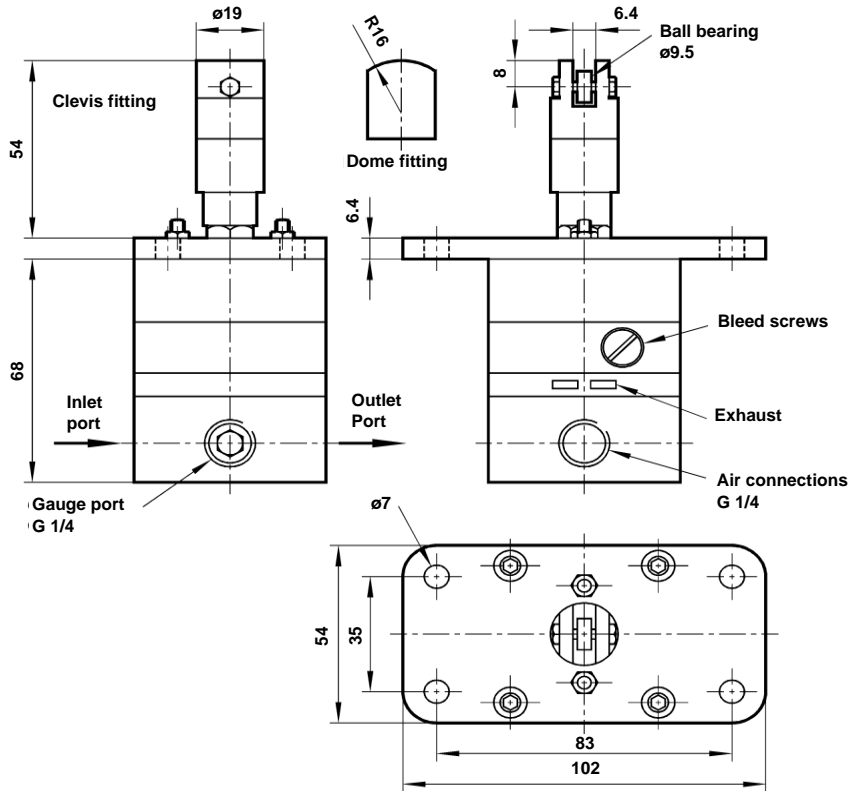


Dimensions R27-236 - RNXG





Dimensions R27-232



Dimensions R27-230 -RNFG

