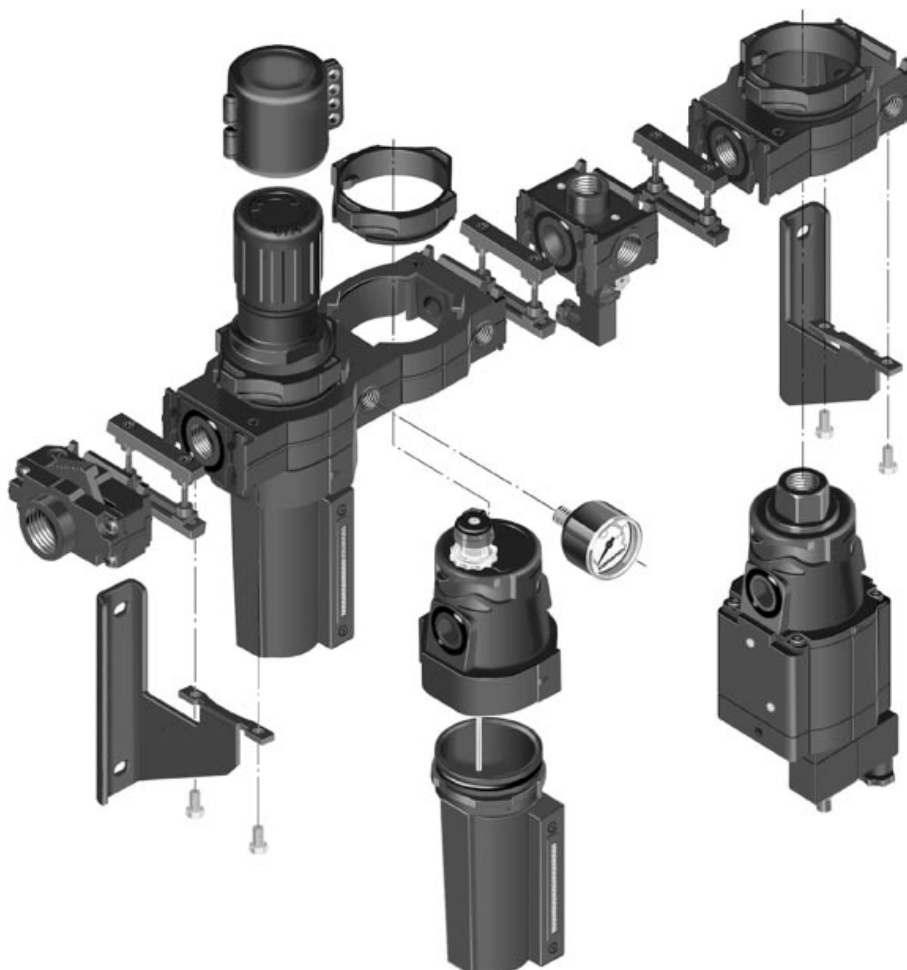


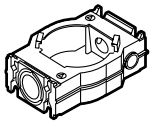
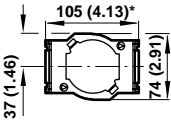
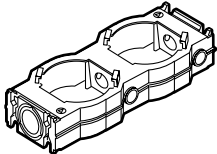
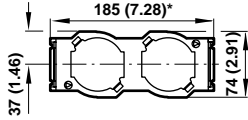
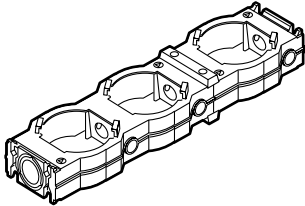
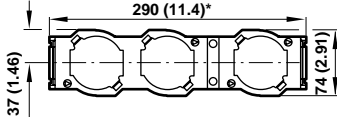
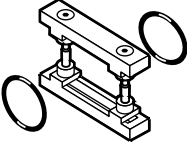
**Olympian Plus
System Accessories**

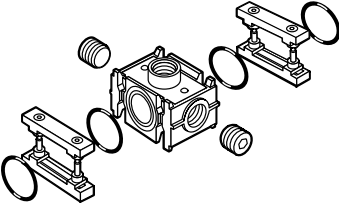
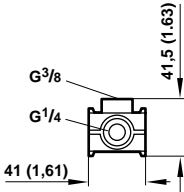
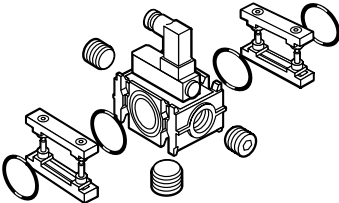
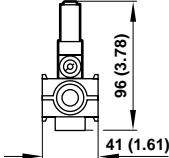
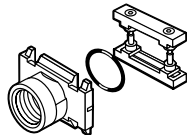
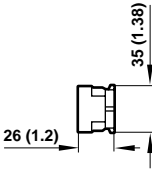
- Olympian Plus system components
- Brackets and mounting kits
- Tamper resistant kits
- Lubricator fill devices
- Exhaust port silencers

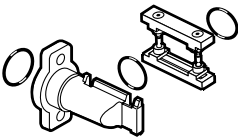
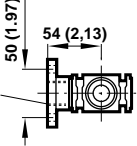
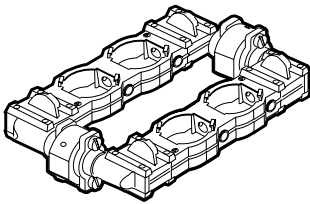




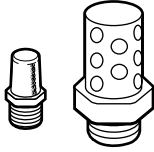
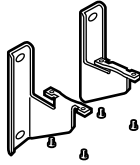

Accessories. Dimensions mm (inches)


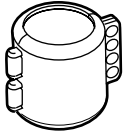
Single Yoke		Double Yoke		Triple Yoke		Yoke Connector Kit	
  * G3/4= 157 (6.18)		  * G3/4 = 237 (9.33)		  * G3/4 = 342 (13.46)			
G1/4	Y64A-2GA-N1N	G1/4	Y64A-2GA-N2N	G1/4	Y64A-2GA-N3N	74503-51	
G3/8	Y64A-3GA-N1N	G3/8	Y64A-3GA-N2N	G3/8	Y64A-3GA-N3N		
G1/2	Y64A-4GA-N1N	G1/2	Y64A-4GA-N2N	G1/2	Y64A-4GA-N3N		
G3/4	Y64A-6GA-N1N	G3/4	Y64A-6GA-N2N	G3/4	Y64A-6GA-N3N		

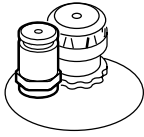
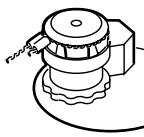


Porting Block		Adjustable Pressure Switch		End Connector	
 <ul style="list-style-type: none"> ● 2 G1/4 outlets ● 1 G3/8 outlet  P ₁ max. = 17 bar (250 psi) T max. = 80°C (175°F)		 <ul style="list-style-type: none"> ● 2-10 bar adjustable ● Porting block mounted ● DIN 43650 form C connector  P ₁ max. = 17 bar (250 psi) T max. = 80°C (175°F) I max. = 5 A V max. = 240 V Reset differential = 1 bar (15 psi) nominal		 <ul style="list-style-type: none"> ● For use with end mounted porting block ● G1/2 or G3/4 over porting 	
74507-50		4346-99		G1/2	74505-50
				G3/4	74505-53

Rear Entry Bracket Kit		Duplex Kit	
  18-026-981		 18-026-978	



Exhaust Port Silencers		Wall Mounting Bracket		Ø 50 mm Pressure Gauge		
						
				R1/8 Connection	1/8 PTF Connection	
T64:	T40B1800 (R1/8)	Standard:	74504-50	4 bar (60 psig):	18-013-011	18-013-202
V64H, P64:	MB004B (R1/2)	L64 1 litre bowl & CS13:	74504-52	10 bar (150 psig):	18-013-013	18-013-204
				25 bar (360 psig):	18-013-014	18-013-206

Regulator Panel Nut	Tamper Resistant Kit
	
4348-89	4355-50
	Seal Wire: 2117-01

Lubricator Quick Fill Nipple	Lubricator Tamper Resistant Wire	Lubricator Level Switch	Remote Fill
			
18-011-024	2117-01 (pack of 10)	18-023-610 (To fit 1 litre bowl version)	18-027-984



Warning

These products are intended for use in industrial compressed air systems only. Do not use these products where pressures and temperatures can exceed those listed under "Technical Data".

Before using these products with fluids other than those specified, for non-industrial applications, life-support systems, or other applications not within published specifications, consult NORGREN.

Through misuse, age, or malfunction, components used in fluid power systems can fail in various modes. The system designer is warned to consider the failure modes of all component parts used in fluid power systems and to provide adequate safeguards to prevent personal injury or damage to equipment in the event of such failure.

System designers must provide a warning to end users in the system instructional manual if protection against a failure mode cannot be adequately provided.

System designers and end users are cautioned to review specific warnings found in instruction sheets packed and shipped with these products.

Water vapor will pass through these units and will condense into liquid if air temperature drops in the downstream system. Install an air dryer if water condensation could have a detrimental effect on the application.