

**Air/ Oil Pressure Converter
0,25 to 5 dm³**

- **Basic module to convert pneumatic pressure into hydraulic pressure**
- **Simple to install**
- **Corrosion resistant construction**
- **Integrated oil level indicator**


Technical Data
Medium:

Compressed air: Filtered, lubricated or non-lubricated
 Oil filling: Mineralic hydraulic oils ISO VG 32 or ISO VG 46 according to DIN 51524

Installation:

Only vertical, oil port below

Operating Pressure:

10 bar max.

Operating Temperature:

-20°C* to +60°C max.

*Consult our Technical Service for use below +2°C

Converter Volumes:

M/55903	0,25 dm ³
M/55905	0,50 dm ³
M/55908	0,75 dm ³
M/55910	1,00 dm ³
M/55915	1,50 dm ³
M/55920	2,00 dm ³
M/55930	3,00 dm ³
M/55940	4,00 dm ³
M/55950	5,00 dm ³

Note: To calculate the volume of the pressure converter 50% must be added to the volume of the cylinder.

Materials:

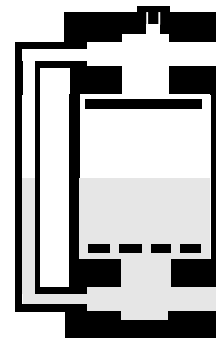
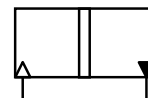
Barrel: Anodised aluminium alloy
 End covers: Anodised aluminium alloy
 Baffle plates: Anodised aluminium alloy
 Fittings: Brass
 Screws and nuts: Zinc plated steel
 Oil level indicator: PA-tube
 Seals: Nitrile rubber

Ordering Examples

See page N 1.12.031.02

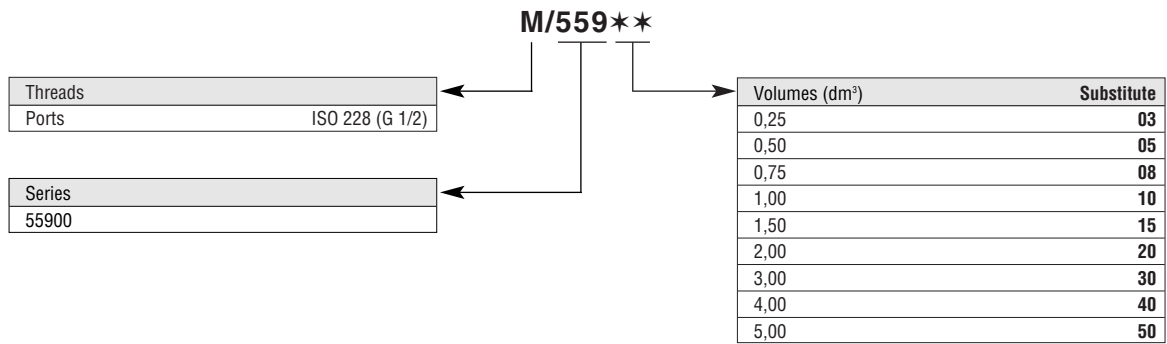
Mountings

See page N 1.12.031.02





Model Codes



Mountings

Converter	Style 'A'	Style 'C'
	 Page 03	 Page 03
M/55903	QM/8032/35	QA/8040/21
M/55905	QM/8032/35	QA/8040/21
M/55908	QM/8032/35	QA/8040/21
M/55910	QM/8032/35	QA/8040/21
M/55915	QM/8032/35	QA/8040/21
M/55920	QM/8032/35	QA/8040/21
M/55930	QM/8050/35	QA/8063/21
M/55940	QM/8050/35	QA/8063/21
M/55950	QM/8050/35	QA/8063/21

Ordering Examples

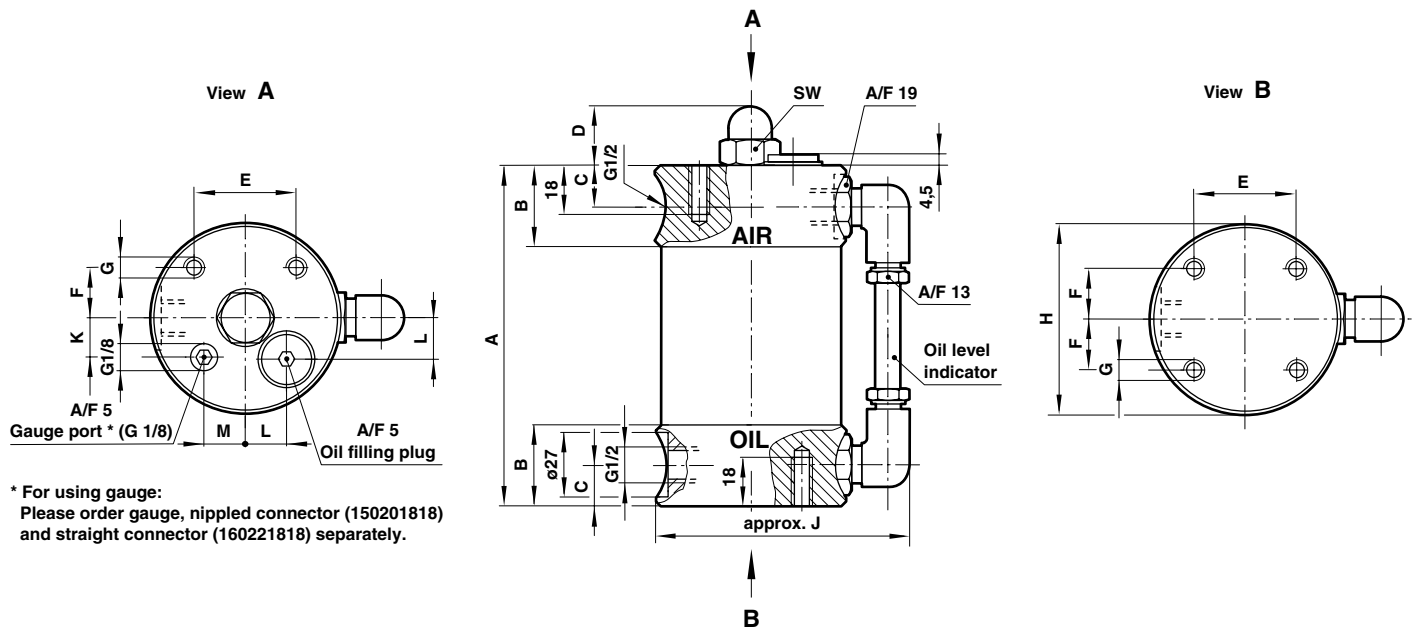
Cylinders

To order a basic 3 dm³ volume converter
quote: **M/55930**

Mountings

To order a front or rear stud mounting style 'A' for
3 dm³ volume converter
quote: **QM/8050/35**

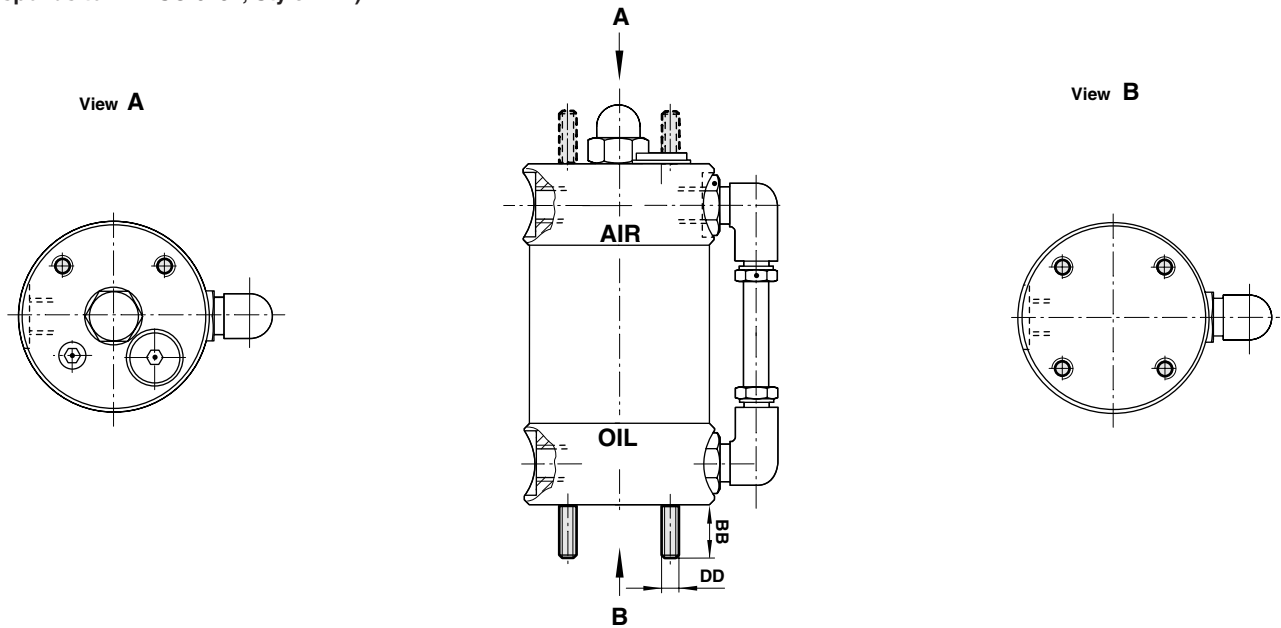
BASIC DIMENSIONS



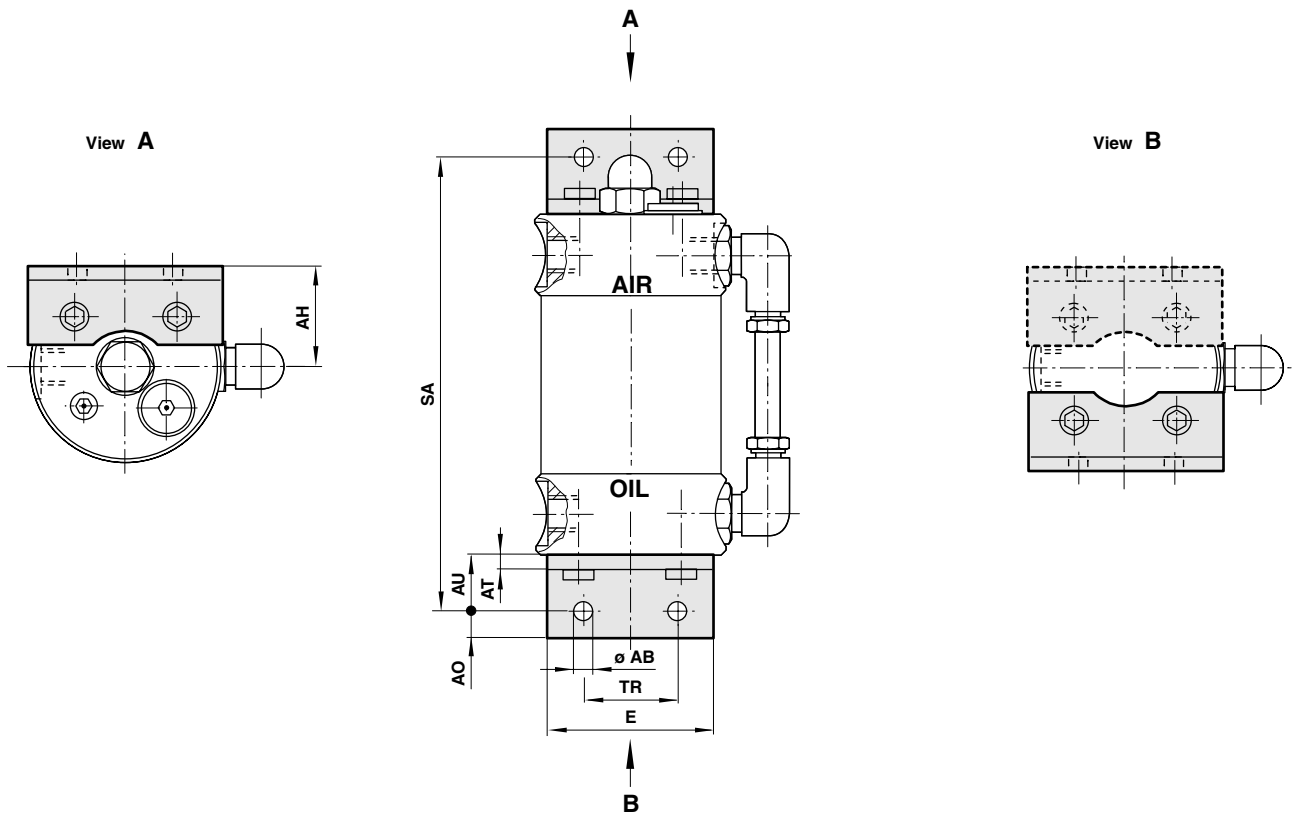
Model	A	B	C	D	E	F	G	∅ H	J	K	L	M	SW	Weights
M/55903	150	30	15	23	38	19	M 6	69	95	17	16	13	19	1,10 kg
M/55905	232	30	15	23	38	19	M 6	69	95	17	16	13	19	1,28 kg
M/55908	315	30	15	23	38	19	M 6	69	95	17	16	13	19	1,46 kg
M/55910	400	30	15	23	38	19	M 6	69	95	17	16	13	19	1,64 kg
M/55915	564	30	15	23	38	19	M 6	69	95	17	16	13	19	2,00 kg
M/55920	730	30	15	23	38	19	M 6	69	95	17	16	13	19	2,36 kg
M/55930	472	35	17,5	35	56,5	32,5	M 8	108	135	25	25	25	30	4,36 kg
M/55940	604	35	17,5	35	56,5	32,5	M 8	108	135	25	25	25	30	5,04 kg
M/55950	736	35	17,5	35	56,5	32,5	M 8	108	135	25	25	25	30	5,72 kg



MOUNTINGS
QM/8000/35 – Front or Rear Stud Mounting Style ‘A’
 (Corresponds to DIN ISO 6431, Style MX1)



QA/8000/21 – Foot Mounting Style ‘C’
 (Corresponds to DIN ISO 6431 and VDMA 24562 Part 2, Style MS1)



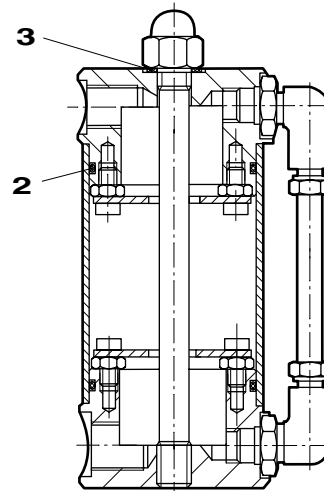
Converter	∅ AB	AH	AO	AT	AU	BB	DD	E	SA	TR	Style ‘A’	Style ‘C’
M/55903	9	36	9	4	28	12	M6	53	206	36	0,02 kg	0,18 kg
M/55905	9	36	9	4	28	12	M6	53	288	36	0,02 kg	0,18 kg
M/55908	9	36	9	4	28	12	M6	53	371	36	0,02 kg	0,18 kg
M/55910	9	36	9	4	28	12	M6	53	456	36	0,02 kg	0,18 kg
M/55915	9	36	9	4	28	12	M6	53	620	36	0,02 kg	0,18 kg
M/55920	9	36	9	4	28	12	M6	53	786	36	0,02 kg	0,18 kg
M/55930	9	54,5	12	5	32	22	M8	74	536	50	0,05 kg	0,39 kg
M/55940	9	54,5	12	5	32	22	M8	74	668	50	0,05 kg	0,39 kg
M/55950	9	54,5	12	5	32	22	M8	74	800	50	0,05 kg	0,30 kg



SPARES

Model	Spares kit	Comprising Item	Description	Quantity
M/55903	QM/55901/00	2	O-Ring	2
M/55905	QM/55901/00	3	Sealing ring	2
M/55908	QM/55901/00			
M/55910	QM/55901/00			
M/55915	QM/55901/00			
M/55920	QM/55901/00			
M/55930	QM/55902/00			
M/55940	QM/55902/00			
M/55950	QM/55902/00			

Note: Please quote the converter number when ordering spare parts.



Warning

These products are intended for use in industrial compressed air systems only. Do not use these products where pressures and temperatures can exceed those listed under 'Technical Data'.

Before using these products with fluids other than those specified, for non-industrial applications, life-support systems, or other applications not within published specifications, consult NORGREN.

Through misuse, age, or malfunction, components used in fluid power systems can fail in various modes.

The system designer is warned to consider the failure modes of all component parts used in fluid power systems and to provide adequate safeguards to prevent personal injury or damage to equipment in the event of such failure.

System designers must provide a warning to end users in the system instructional manual if protection against a failure mode cannot be adequately provided.

System designers and end users are cautioned to review specific warnings found in instruction sheets packed and shipped with these products.