

In Line Flow Regulator 1/8", 1/4", 1/2", 3/4", 1"

- Line mounted general purpose regulators
- Captive regulating needle will not blow out when unscrewed
- Calibrated adjusting knob, can be locked
- Suitable for wall mounting
- High operating pressure



Technical Data

Medium:

Compressed air, filtered, lubricated and non-lubricated

Operation:

Uni-directional

Mounting:

Line mounted, concentrically

Port Size:

	BSPP		NPT	
G1/8	S/836	1/8	NPT	C/836
G1/4	M/837	1/4	NPT	C/837
G1/2	M/839	1/2	NPT	C/839
G3/4	M/840	3/4	NPT	C/840
G1	M/855	1	NPT	C/855

Operating Pressure:

0,3 - 16 bar

Operating Temperature:

-20°C* to +80°C (Alternative models to 150°C)

* Consult our Technical Service for use below +2°C.

Materials

Brass body, adjusting knob, and locking ring (S/836, M/837, M/839), aluminium body, adjusting knob and locking ring (M/840, M/855), nitrile rubber seals.

Ordering Information

To order, quote model number from table overleaf, e.g. M/837 for the G1/4 model

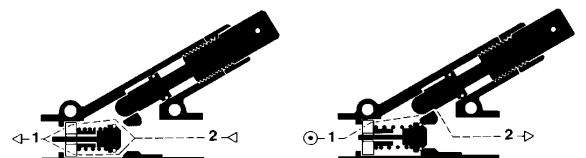
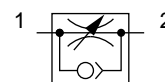
Alternative models

M/600 range of heavy duty panel mounting Flow Regulators (air & hydraulic), see page 5.9.041.01

S/518 precision Flow Regulators (air & hydraulic), see page 5.9.031.01

T1000 range of Block Form Flow Regulators, see page 5.9.001.01

TM, TC/800 High Temperature version (150°C max.)





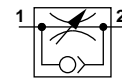
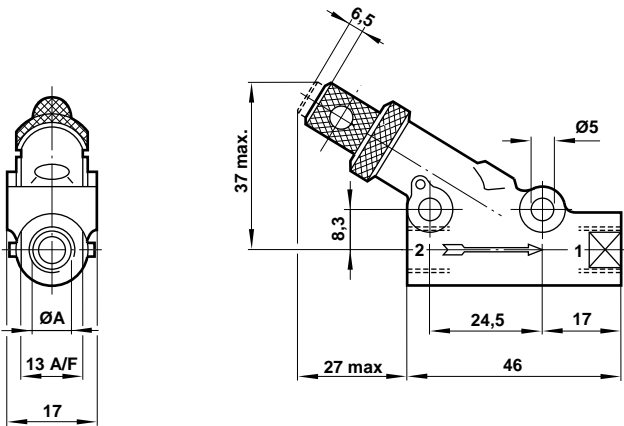
General Information

MODEL		Type	Port Size	Weight (Kg)	Spares kit	
BSPP	NPT				BSPP	NPT
S/836	C/836	Uni-directional	1/8	0,10	QS/520/00	QC/520/00
M/837	C/837	Uni-directional	1/4	0,15	QS/521/00	QC/521/00
M/839	C/839	Uni-directional	1/2	0,60	QS/522/00	QC/522/00
M/840	C/840	Uni-directional	3/4	1,20	QS/523/00	QC/523/00
M/855	C/855	Uni-directional	1	3,50	QS/524/00	QC/524/00

BSPP = According to BS2779 and ISO - 228/1

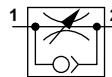
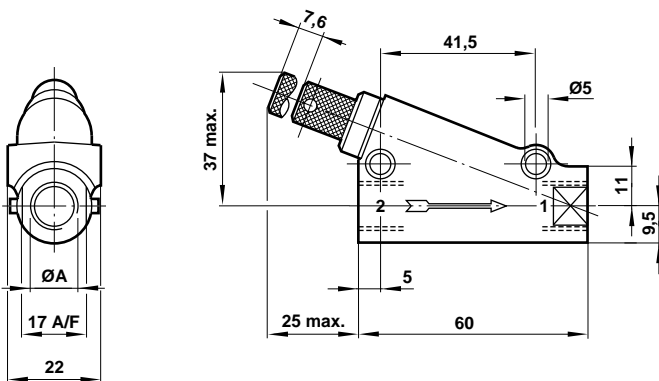
NPT = Products are finished with National Pipe Straight Threads for Couplings, which are specifically designed to mate with NPT male threads

Flow Regulator



Model Number: **S/836** ØA
C/836 G1/8
Type: Uni-directional 1/8 NPT
Free flow is from '2' to '1', indicated by arrow

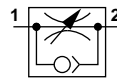
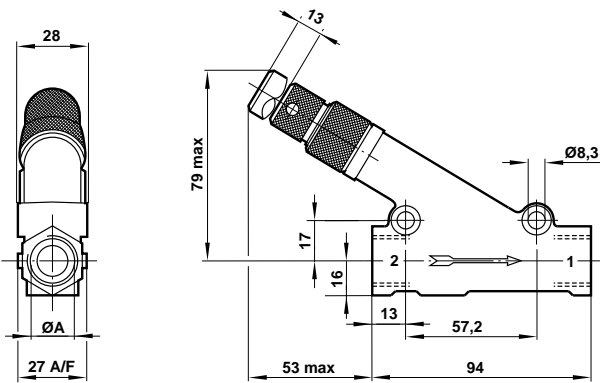
Flow Regulator



Model Number: **M/837** ØA
C/837 G1/4
Type: Uni-directional 1/4 NPT
Free flow is from '2' to '1', indicated by arrow



Flow Regulator

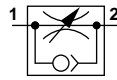
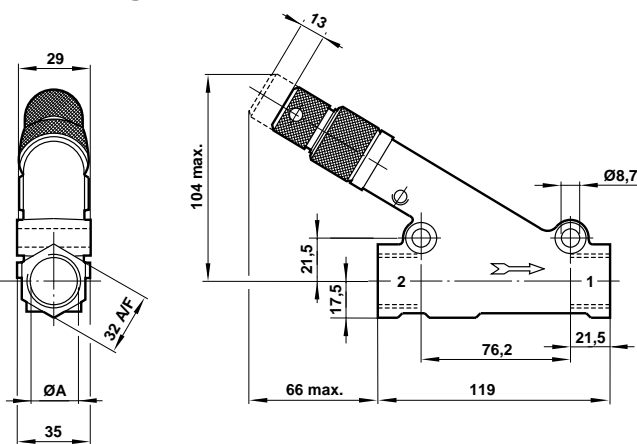


Model Number: **M/839**
C/839

ØA
G¹/₂
1/2 NPT

Type: Uni-directional
Free flow is from '2' to '1', indicated by arrow

Flow Regulator

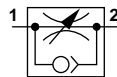
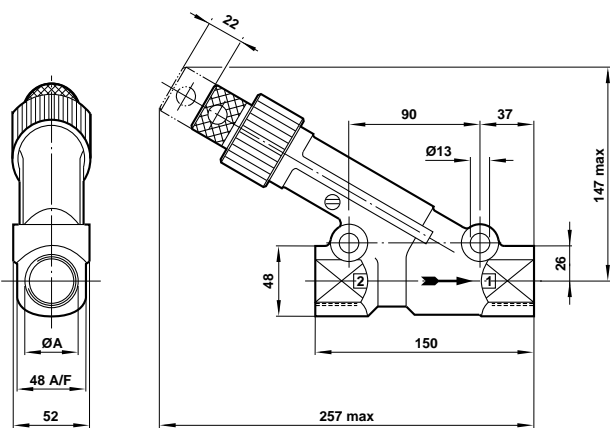


Model Number: **M/840**
C/840

ØA
G³/₄
3/4 NPT

Type: Uni-directional
Free flow is from '2' to '1', indicated by arrow

Flow Regulator



Model Number: **M/855**
C/855

ØA
G1
1 NPT

Type: Uni-directional
Free flow is from '2' to '1', indicated by arrow

Warning

These products are intended for use in industrial compressed air systems only. Do not use these products where pressures and temperatures can exceed those listed under 'Technical Data'. Before using these products with fluids other than those specified, for non-industrial applications, life-support systems, or other applications not within published specifications, consult Norgren. Through misuse, age, or malfunction, components used in fluid power systems can fail in various modes. The system designer is warned to consider the failure modes of all component parts used in fluid power systems and to provide adequate safeguards to prevent personal injury or damage to equipment in the event of such failure. **System designers must provide a warning to end users in the system instructional manual if protection against a failure mode cannot be adequately provided.** System designers and end users are cautioned to review specific warnings found in instruction sheets packed and shipped with these products where applicable.