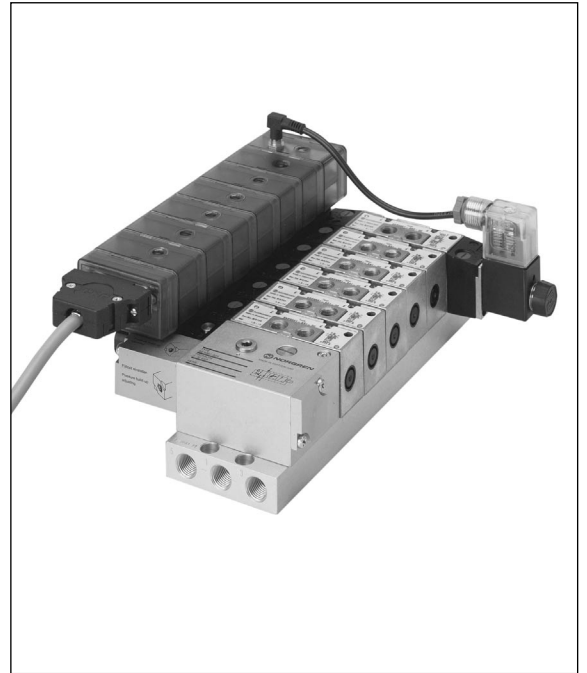


**5/2 and 5/3 Glandless Valves
Solenoid Pilot Actuated with Wireway
Manifold and Sub-base Mounted**

- **Multipole and electrical wireway for easy installation**
- **Selectable and visible address system for IP 40 and IP 65 models**
- **Indicators and surge suppression as standard**
- **For use with 5/2, 5/3 and soft start valves**
- **Can be added to existing valves**

**Technical Data Wireway**

Supply Voltage:

24 V d.c. \pm 10%

Maximum power consumption:

2 W per coil

Rating:

100% Continuous Duty

Indication by yellow LED

Suppression by VDR varistor

Valve terminal pins to 22 mm coil with Industrial Standard Interface

Switching mode:

+ve, common -ve

Ambient Temperature:

-15°C* to +50°C (5°F* to +122°F)

*Consult our Technical Service for use below +2°C (36°F)

Protection class:

IP 65 Round connector

IP 40 D-Sub connector

Maximum number of valves:

e.g. 15 single, or 5 double solenoid valves with 5 single solenoid valves. Other combinations for up to 15 solenoids possible

Materials:

Polyamide 12 for module bodies, neoprene, NBR seals, gold plated brass and silver contacts

Ordering Information

The electrical wireway modules can be ordered separately. Consult our Technical Service for a pre-assembled multipole kit, or a complete ready built valve island.

For further technical data on MIDI ★ STAR valves and bases refer to section 5.4.148.



General Information

5/2 Solenoid Pilot Actuated Valves

Symbol	Model	Pilot Supply	Operator 14	Return 12	Operating Pressure bar (psig)	Pilot Pressure bar (psig)	Weight kg (lb.)
	SXE9561-A80-0x/13J	Internal	Solenoid	Air Spring	1 - 10 (14.5 - 145)	-	0.27 (0.59)
	SXE9561-A85-0x/13J	External	Solenoid	Air Spring	-0.9 - 10 (-13.1 - 145)	1 - 10 (14.5 - 145)	0.27 (0.59)
	SXE9561-A81-0x/13J	Internal	Solenoid	Spring	1.6 - 10 (23.2 - 145)	-	0.27 (0.59)
	SXE9561-A86-0x/13J	External	Solenoid	Spring	-0.9 - 10 (-13.1 - 145)	1.6 - 10 (23.2 - 145)	0.27 (0.59)
	SXE0561-A60-0x/13J	Internal	Solenoid	Solenoid	2 - 10 (29 - 145)	-	0.40 (0.88)
	SXE0561-A65-0x/13J	External	Solenoid	Solenoid	-0.9 - 10 (-13.1 - 145)	2 - 10 (29 - 145)	0.40 (0.88)

5/3 Solenoid Pilot Actuated Valves and Soft Start Valve

Symbol	Model	Valve Function	Pilot Supply	Operator 14	Return 12	Operating Pressure bar (psig)	Pilot Pressure bar (psig)	Weight kg (lb.)
	SXE9661-A60-0x/13J	APB	Internal	Solenoid	Solenoid	2 - 10 (29 - 145)	-	0.45 (0.99)
	SXE9661-A65-0x/13J	APB	External	Solenoid	Solenoid	-0.9 - 10 (-13.1 - 145)	2 - 10 (29 - 145)	0.45 (0.99)
	SXE9761-A60-0x/13J	COE	Internal	Solenoid	Solenoid	2 - 10 (29 - 145)	-	0.45 (0.99)
	SXE9761-A65-0x/13J	COE	External	Solenoid	Solenoid	-0.9 - 10 (-13.1 - 145)	2 - 10 (29 - 145)	0.45 (0.99)
	SXE9861-A60-0x/13J	COP	Internal	Solenoid	Solenoid	2 - 10 (29 - 145)	-	0.45 (0.99)
	SXE9861-A65-0x/13J	COP	External	Solenoid	Solenoid	-0.9 - 10 (-13.1 - 145)	2 - 10 (29 - 145)	0.45 (0.99)
	SE 9362-A08-0x/13J	Soft Start Valve	Internal	Solenoid	Air Spring	3 - 10 (43.5 - 145)	-	0.58 (1.27)

× Insert Manual Override Code: 0 = Shrouded push button, spring return, lockable
 1 = Shrouded push button, spring return
 Valve Function Designations: APB = All Ports Blocked / COE = Centre Open Exhaust / COP = Centre Open Pressure

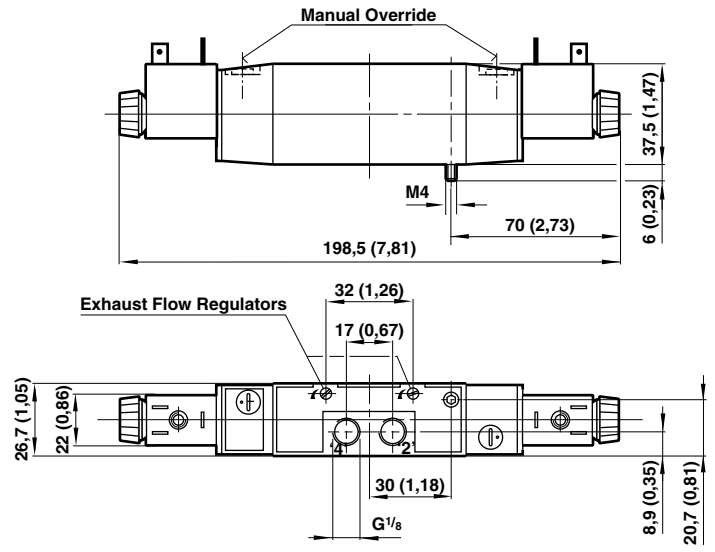
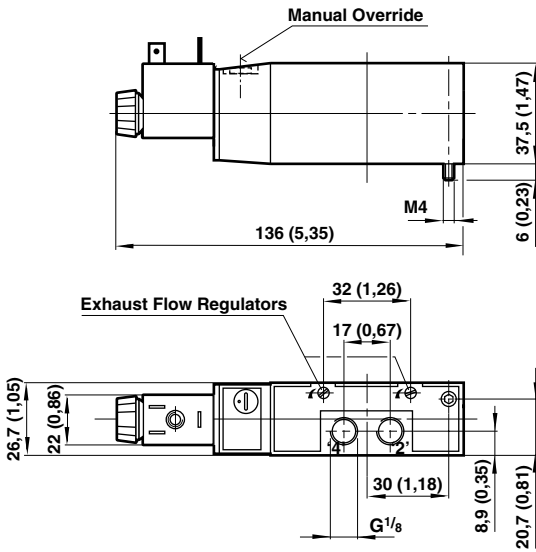
Wireway Components

End Plate with D-Sub Connector	End Plate with Round Connector	Multipole Link Module for Single Solenoid	Multipole Link Module for Double Solenoid	End Cover
TSK 2000-000 IP 40	TSK 2100-000 IP 65	TSK 2300-110 IP 40 TSK 2300-120 IP 65	TSK 2300-210 IP 40 TSK 2300-220 IP 65	TSK2200-010 IP 40 TSK2200-020 IP 65
Cable Assembly for Second Coil	D-Sub Connector	Round Connector		
TSK 2900-000 IP 65	TSK 2700-002 IP 40 2 metre TSK 2700-005 IP 40 5 metre	TSK 2800-022 IP 65 2 metre TSK 2800-025 IP 65 5 metre		



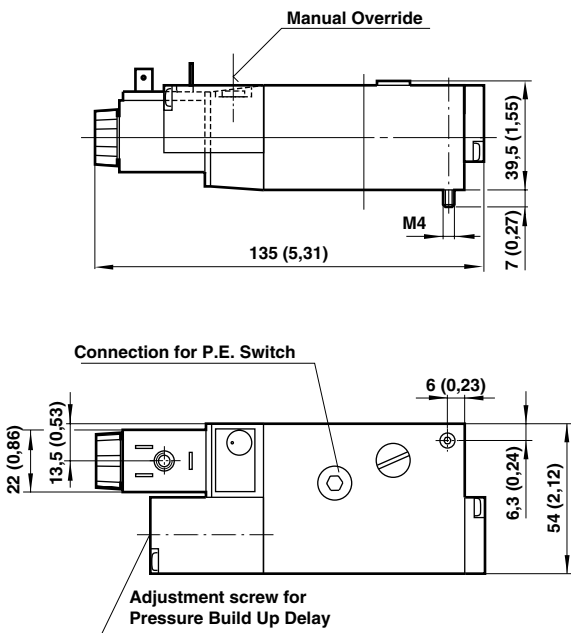
SXE 9561 Models
Single Solenoid Valves

SXE 0561 and SXE9*61 Models
Double Solenoid Valves



All dimensions in mm (inch)!

SE 9362 - A08 Models
Soft Start Valve

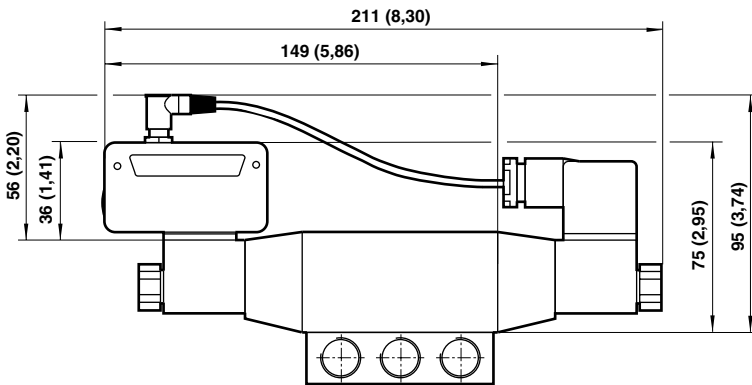


Note: Soft Start Valve requires two stations on a manifold or sub-base but only one Multipole Link Module and must occupy the first two stations on a Valve Island.

All dimensions in mm (inch)!



Manifolds and Sub-bases with IP 40 D-Sub Connector Wireway for MIDI STAR Valves



End Plate with D-Sub Connector **(A)**

TSK 2000-000

Weight: 0,02 kg (0,05 lb.)

Multipole Link Module for Single Solenoid **(B)**

TSK 2300-110

Addressable with indicator and surge suppression

Weight: 0,02 kg (0,05 lb.)

Multipole Link Module for Double Solenoid **(C)**

TSK 2300-210

Addressable with indicator and surge suppression

Weight: 0,03 kg (0,06 lb.)

End Cover **(D)**

TSK2200-010

Standard IP 40

Weight: 0,008 kg (0,017 lb.)

Cable Assembly **(E)**

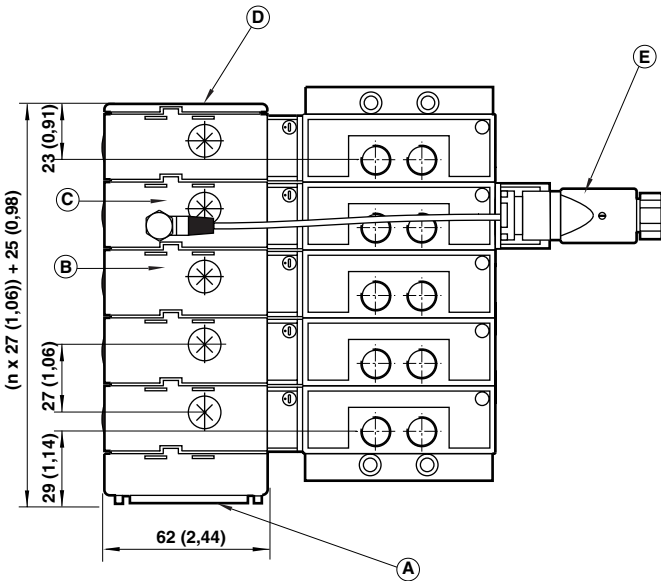
TSK 2900-000

For use with second coil, IP 65

Weight: 0,02 kg (0,05 lb.)

Note: MIDI STAR valves can be supplied with various manifolds and sub-bases.

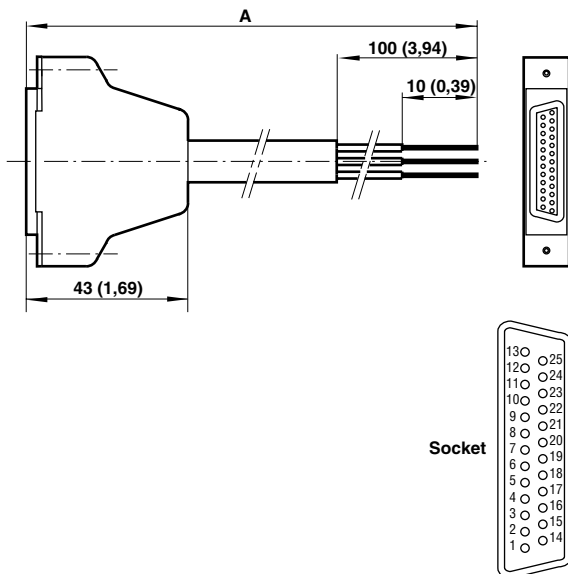
For more information see section 5.4.148



n = Number of valves

All dimensions in mm (inch)!

IP 40 D-Sub Connector



D-Sub Connector with Cable

Type: 25 pin IP 40 D-Sub connector. Cable size 0,25 mm²

Model	A	Weight kg (lb.)
TSK 2700-002	2000 (78,74)	0,24 (0,53)
TSK 2700-005	5000 (196,85)	0,56 (1,25)

Pin	Selector Dial (1)	Plug (2)	Pin	Selector Dial (1)	Plug (2)
1	1	White	9	9	Black
2	2	Brown	10	A	Purple
3/11*	3	Green	11	B	Grey/Pink
4/12*	4	Yellow	12	C	Red/Blue
5/13*	5	Grey	13	D	White/Green
6/14*	6	Pink	14	E	Brown/Green
7/15*	7	Blue	15	F	White/Yellow
8	8	Red	25	Common -ve	Yellow/Brown

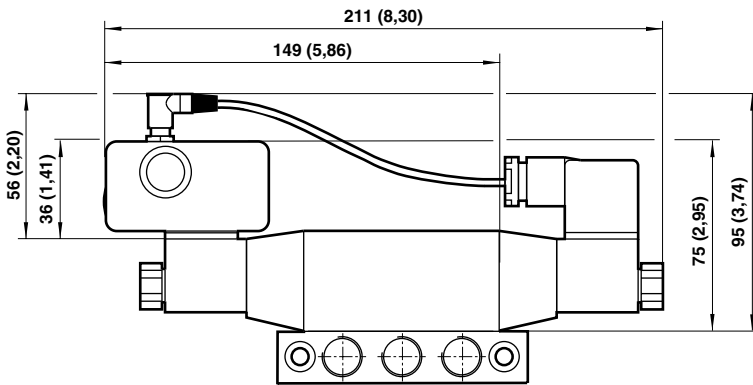
1 Selector address identification
 2 Cable colour code
 e.g. If you select 'A' on module, pin '10' on socket is connected
 *Second pin used for double solenoid

D-Sub connector: DIN 41 652
 Colour code: DIN 47 100

All dimensions in mm (inch)!



Manifolds and Sub-bases with IP 65 Round Connector Wireway for MIDI★STAR Valves



End Plate with Round Connector (A)

TSK 2100-000

Weight: 0,02 kg (0,05 lb.)

Multipole Link Module for Single Solenoid (B)

TSK 2300-120

Addressable with indicator and surge suppression

Weight: 0,02 kg (0,05 lb.)

Multipole Link Module for Double Solenoid (C)

TSK 2300-220

Addressable with indicator and surge suppression

Weight: 0,03 kg (0,06 lb.)

End Cover (D)

TSK2200-020

Standard IP 65

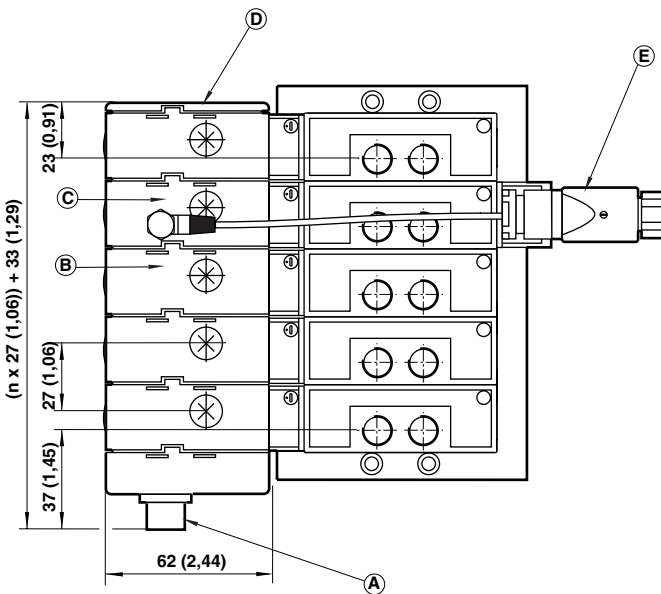
Weight: 0,008 kg (0,017 lb.)

Cable Assembly (E)

TSK 2900-000

For use with second coil, IP 65

Weight: 0,02 kg (0,05 lb.)



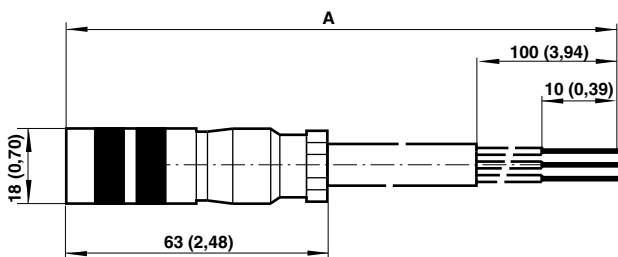
Note: MIDI★STAR valves can be supplied with various manifolds and sub-bases.

For more information see section 5.4.148

n = Number of valves

All dimensions in mm (inch)!

IP 65 Round Connector



Round Connector with Cable

Type: 19 pin IP 65 Round connector. Cable size 0,50 mm²

Model	A	Weight kg (lb.)
TSK 2800-022	2000 (78,74)	0,26 (0,54)
TSK 2800-025	5000 (196,85)	0,58 (1,26)

Pin	Selector Dial (1)	Plug (2)	Pin	Selector Dial (1)	Plug (2)
A	1	White	J	9	Black
B	2	Brown	K	A	Purple
C/L*	3	Green	L	B	Grey/Pink
D/M*	4	Yellow	M	C	Red/Blue
E/N*	5	Grey	N	D	White/Green
F/O*	6	Pink	O	E	Brown/Green
G/P*	7	Blue	P	F	White/Yellow
H	8	Red	U	Common -ve	Yellow/Brown

1 Selector Address Identification

Colour code: DIN 47 100

2 Cable Colour Code

e.g. If you select 'A' on module, pin 'K' on socket is connected

*Second pin used for double solenoid

All dimensions in mm (inch)!



Warning

These products are intended for use in industrial compressed air systems only. Do not use these products where *pressures* and *temperatures* can exceed those listed under '**Technical Data**'.

Before using these products with fluids other than those specified, for non-industrial applications, life-support systems, or other applications not within published specifications, consult NORGREN.

Through misuse, age, or malfunction, components used in fluid power systems can fail in various modes. The system designer is warned to consider the failure modes of all component parts used in fluid power systems and to provide adequate safeguards to prevent personal injury or damage to equipment in the event of such failure.

System designers must provide a warning to end users in the system instructional manual if protection against a failure mode cannot be adequately provided.

System designers and end users are cautioned to review specific warnings found in instruction sheets packed and shipped with these products where applicable.