

Water Regulator
G³/₄, G1

- Suitable for general purpose use on non-potable water systems
- High flow, low pressure drop
- Dashpot control of valve assembly ensures smooth, quick response to sudden flow demands

Technical Data

Medium:

Non-potable water

Maximum Inlet Pressure:

20 bar

Operating Temperature:

+2°C to +100°C

Recommended Regulated Pressures^{††}:

0,3 - 8 bar standard

0 - 3,5 bar optional

7 - 14 bar optional

^{††}Can be adjusted to zero bar outlet pressure and, generally, to pressures in excess of those specified.

Gauge Ports:

G¹/₈

Maximum Flow with 7 bar inlet pressure, 6 bar outlet pressure and pressure drop of 1 bar:

40 litres/min


Port Sizes

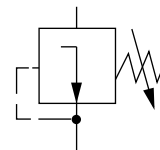
G³/₄, G1 to ISO 1179

Accepts ISO 228 (BS 2779) parallel or ISO 7 (BS 21) taper connectors

Alternative Models

Other port thread forms

Potable Water Regulators, see pages 8.6.201.01 (R06) and 8.6.211.01 (R43)

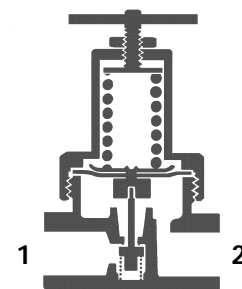

Materials

Brass body. Aluminium alloy bonnet. Steel T-bar adjusting screw. Synthetic rubber elastomeric materials.

Ordering Information

To order a standard Water Regulator, quote model number from table overleaf.

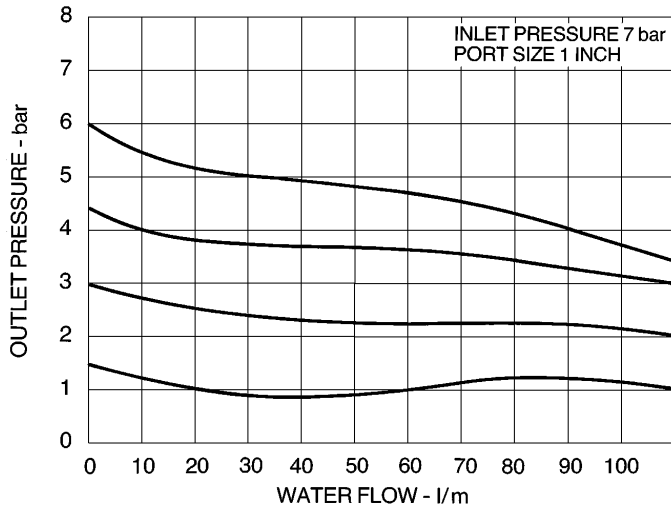
For non-standard models substitute appropriate digits as instructed.



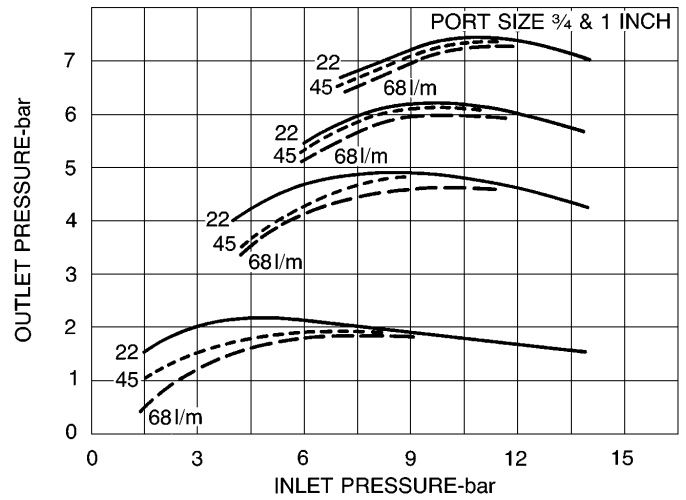


Typical Performance Characteristics

FLOW CHARACTERISTICS



REGULATION CHARACTERISTICS



Standard Water Regulators

8 bar spring

Port Size	Model	Weight kg
G ³ / ₄	11-809-999	3,60
G1	11-809-995	3,43

Non-standard Models

For optional 3,5 bar spring, substitute '8' for '9' or '4' for '5' respectively at the 8th digit, e.g. 11-809-998.

For optional 14 bar spring, substitute '6' for '9' or '2' for '5' respectively at the 8th digit, e.g. 11-809-996.

For other options, please consult our Technical Service.

Accessories

Wall Mounting Bracket Kit, see page 8.6.231.03.

Pressure Gauges, see page 8.11.031.01.

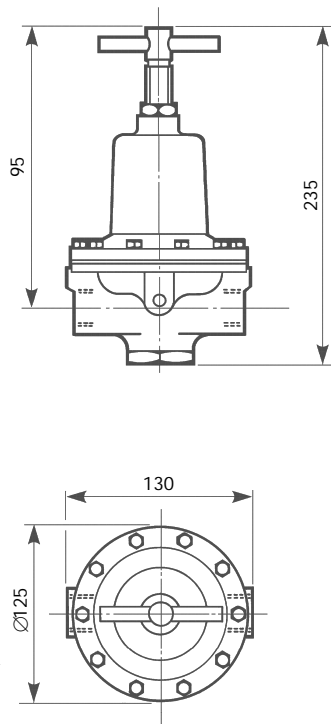
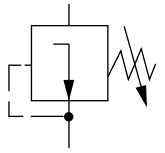
Black Plastic Handwheel, reference 1321-99.

Slotted Adjusting Screw, reference 1095-02.



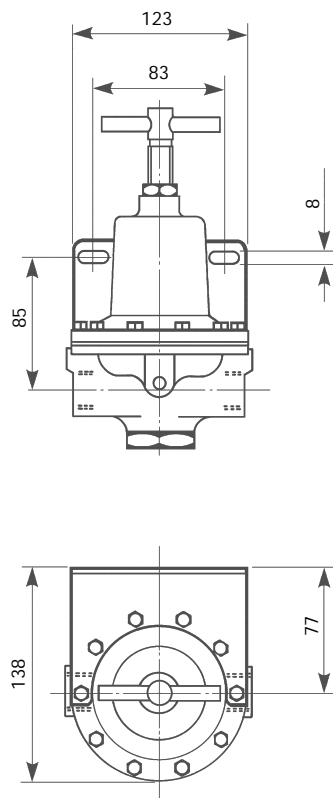
Water Regulator

8 bar spring
 11-809-999 G³/₄
 11-809-995 G1



Bracket Mounting

Bracket Kit reference:
 18-001-029





Spares Kits

Spring	Repair Kit
3,5 bar , 8 bar	11-009-100
14 bar	11-009-101

Warning

These products are intended for use in industrial compressed air systems only. Do not use these products where *pressures* and *temperatures* can exceed those listed under '**Technical Data**'.

Before using these products with fluids other than those specified, for non-industrial applications, life-support systems, or other applications not within published specifications, consult NORGREN MARTONAIR.

Through misuse, age, or malfunction, components used in fluid power systems can fail in various modes. The system designer is warned to consider the failure modes of all component parts used in fluid power systems and to provide adequate safeguards to prevent personal injury or damage to equipment in the event of such failure.

System designers must provide a warning to end users in the system instructional manual if protection against a failure mode cannot be adequately provided.

System designers and end users are cautioned to review specific warnings found in instruction sheets packed and shipped with these products.